

235 Series

Mechanical



- Robust
- Accurate
- Reliable
- Portable
- Dual Markings Available for Metric and Avoirdupois
- Low Cost
- Easy to Read
- Corrosion Resistant
- Capacities- 11 lb (5 kg) to 660 lb (300 kg)

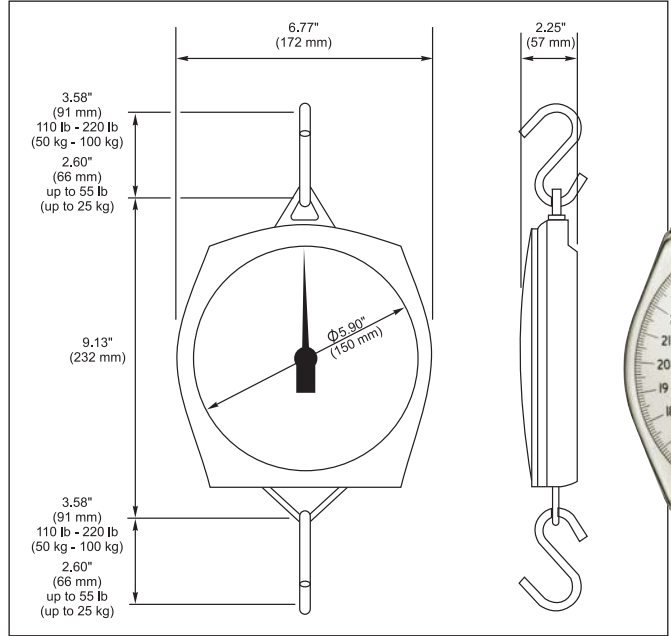
VALUE IN
WEIGHING

Model 235 6S

Compact, robust and corrosion resistant, housed in a tough ABS plastic case with shatterproof polycarbonate dial cover. Low friction acetal bearings provide positive movement to give maximum sensitivity. Accurate to one part in 250 with up to 15% zero adjust. Supplied with top and bottom hooks.

Dual Marked

| | | |
|----------------|---|---------------|
| 5 kg x 20 g | / | 11 lb x 1 oz |
| 10 kg x 50 g | / | 22 lb x 2 oz |
| 25 kg x 100 g | / | 56 lb x 4 oz |
| 50 kg x 200 g | / | 110 lb x 8 oz |
| 100 kg x 500 g | / | 220 lb x 1 lb |

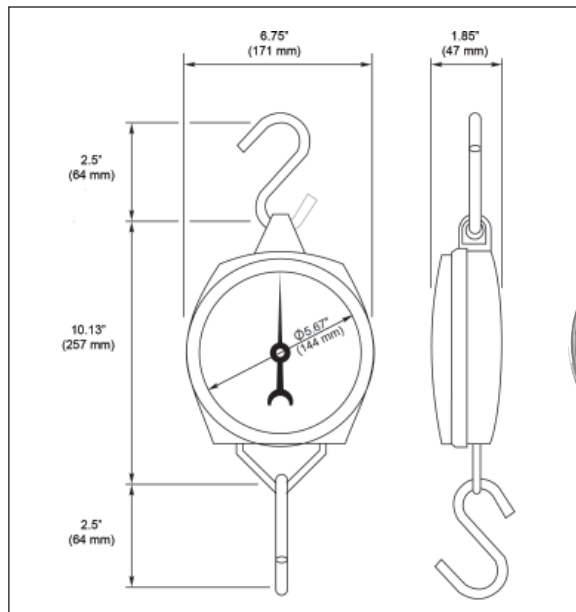


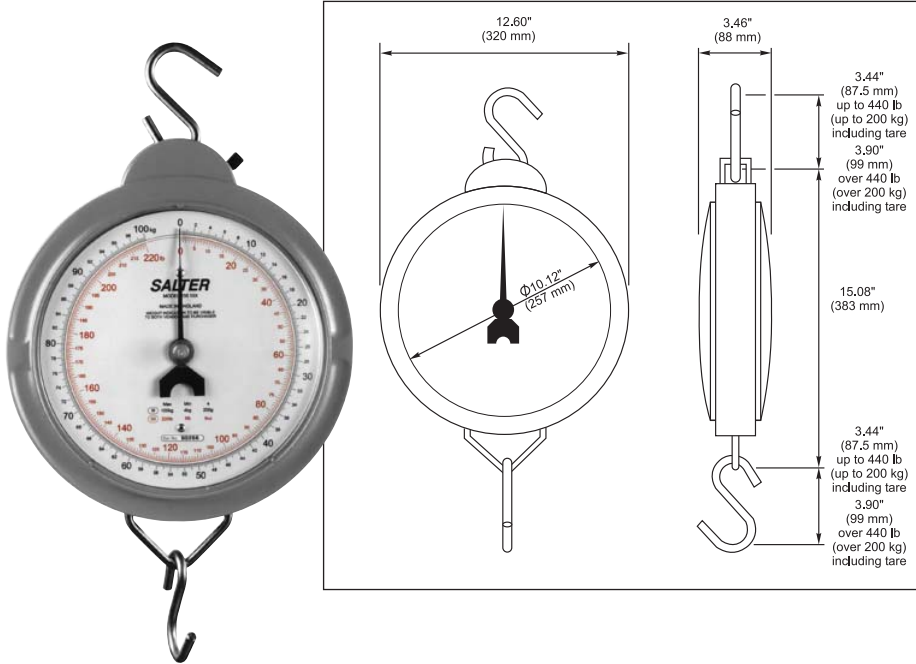
Model 235-6X

Compact, robust, housed in the traditional metal case. Accurate to one part in 250 with up to 15% zero adjustment. Supplied with top and bottom hooks.

Dual Marked

| | | |
|----------------|---|---------------|
| 5 kg x 20 g | / | 11 lb x 1 oz |
| 10 kg x 50 g | / | 22 lb x 2 oz |
| 25 kg x 100 g | / | 56 lb x 4 oz |
| 50 kg x 200 g | / | 110 lb x 8 oz |
| 100 kg x 500 g | / | 220 lb x 1 lb |





Model 235 10x

Heavy duty suspended scale. Easy to read dial housed in a robust die cast casing. Low friction bearings provides positive movement to give maximum sensitivity. Accurate to one part in 500 with up to 10% zero adjustment. Supplied with top and bottom hooks as standard.

- 100 kg x 200 g / 220 lb x 8 oz
- 200 kg x 500 g / 440 lb x 1 lb
- 300 kg x 1 kg / 660 lb x 2 lb

Options available up to 56 lb (25 kg)

Galvanized scoop, 16½" x 14" x 6"
(419 mm x 356 mm x 152 mm deep);
up to 56 lb (25 kg)



Round stainless steel pan, 12.5" (318 mm) diameter,
2.25" (57 mm) deep; up to 56 lb (25 kg)



Round stainless steel pan, 12" (305 mm)
diameter; up to 56 lb (25 kg)



